

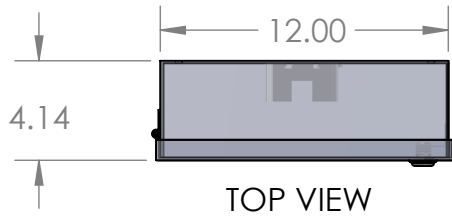
2

1

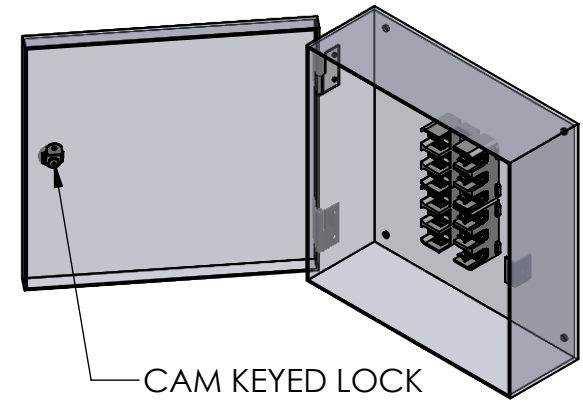
NOTES:

- 1. NEMA 1 INDOOR STITCH WELDED CONSTRUCTION
- 2. HINGED FRONT COVER WITH WRAP AROUND LIP
- 3. 3 POLE UL LISTED FUSE HOLDER
- 4. RED POWDER COAT FINISH
- 5. CAM 45 KEYED DOOR LOCK
- 6. FACTORY INSTALLED NEUTRAL BARS AVAILABLE

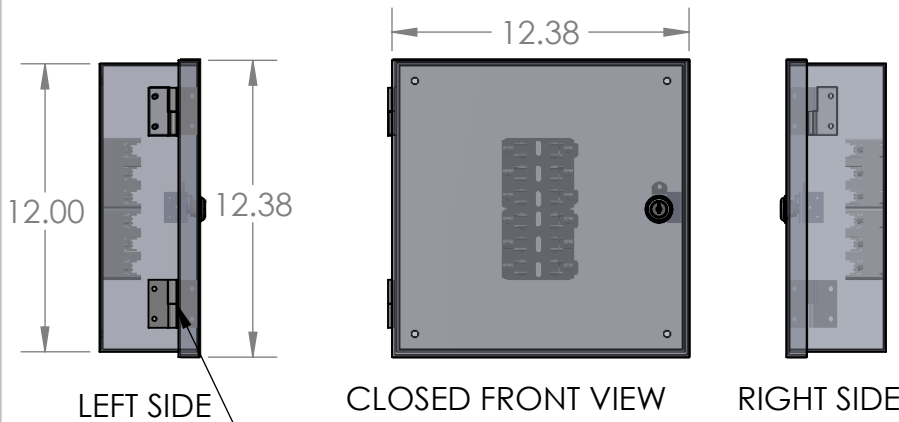
B



E167302 LISTED
CABINETS AND CUT OUT BOXES
 LOT NO. XXXXXX
NAV-TECH INC.
 HAUPPAUGE, NEW YORK



B



A

HINGED DOOR

DRAWN BY: J. Pincus DATE: 7/24/2023 APPROVED BY:		MATL: 16 GA GALV	DRAWING TITLE: 12" X 12" X 4" FIRE ALARM CUT OUT BOX	
		FINISH: POWDER COATED RED	PART #: FAB 12124	
PROPRIETARY AND CONFIDENTIAL THE INFORMATION CONTAINED IN THIS DRAWING IS THE SOLE PROPERTY OF Nav-Tech Inc. ANY REPRODUCTION IN PART OR AS A WHOLE WITHOUT THE WRITTEN PERMISSION OF Nav-Tech Inc. IS PROHIBITED.	155 MARCUS BLVD HAUPPAUGE, NEW YORK 11788 PH: (718) 257-2111 FAX: (718) 257-2626 UNLESS OTHERWISE SPECIFIED: ALL DIMENSIONS ARE NOMINAL UNLESS EXPLICITLY SPECIFIED OTHERWISE	WEIGHT:	DESCRIPTION: NEMA 1 12" X 12" X 4" FIRE ALARM CUT OUT BOX WITH 30 AMP 6 POLE FUSE BLOCK AND LOCKING HINGE COVER	
		UNLESS OTHERWISE SPECIFIED	1. REMOVE ALL BURRS AND BREAK ALL SHARP EDGES .015 X 45° OR .015R 2. DIMENSIONAL LIMITS APPLY AFTER PLATING 3. MACHINED SURFACES EXCEPT AS NOTED	
		DO NOT SCALE DRAWING	SCALE: 1:8	SIZE: A

A

2

1